

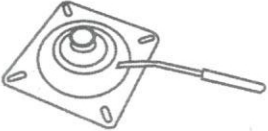


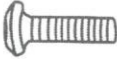


ASSEMBLING INSTRUCTION

Ax1	
Bx1	
Cx1	
Dx5	
Ex1	
Fx4	
Gx1	