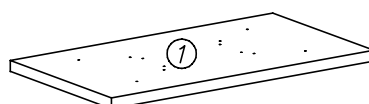
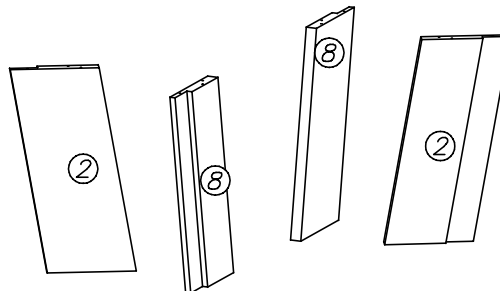
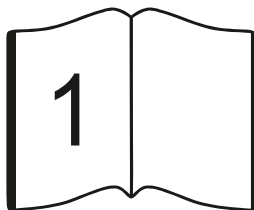
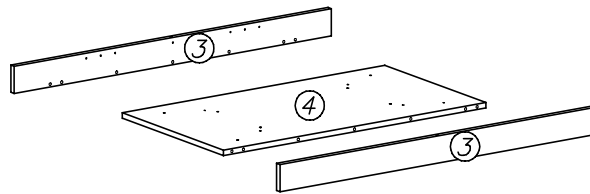
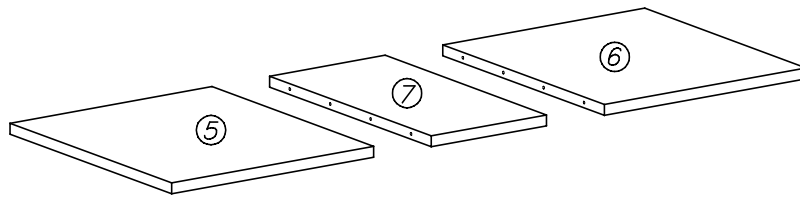
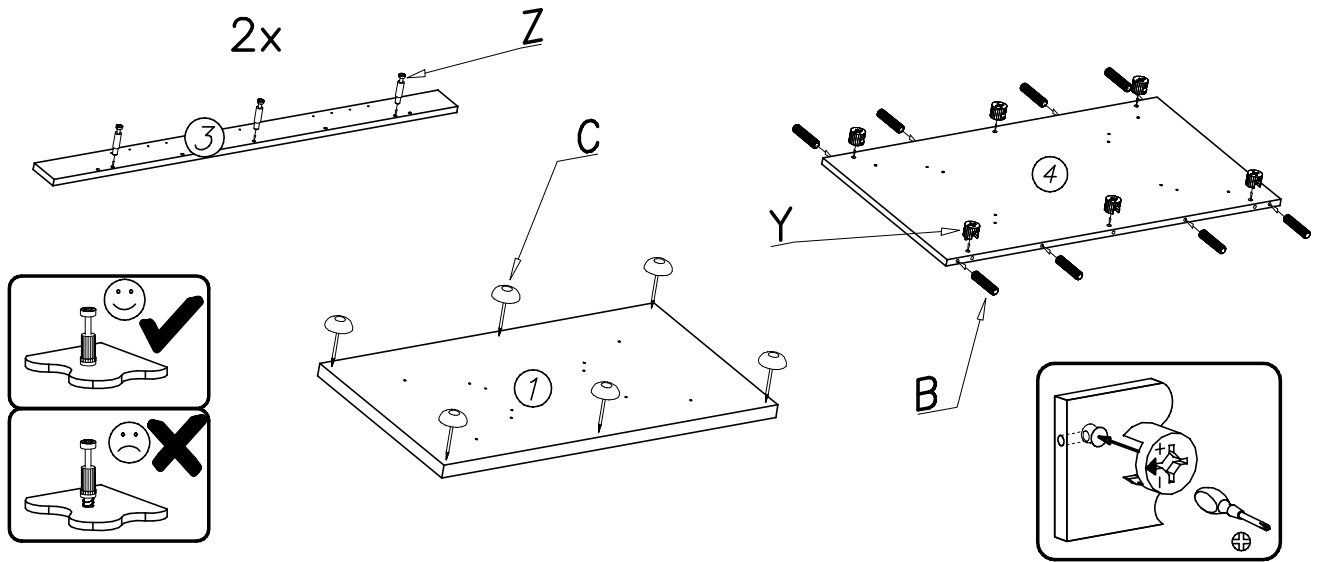


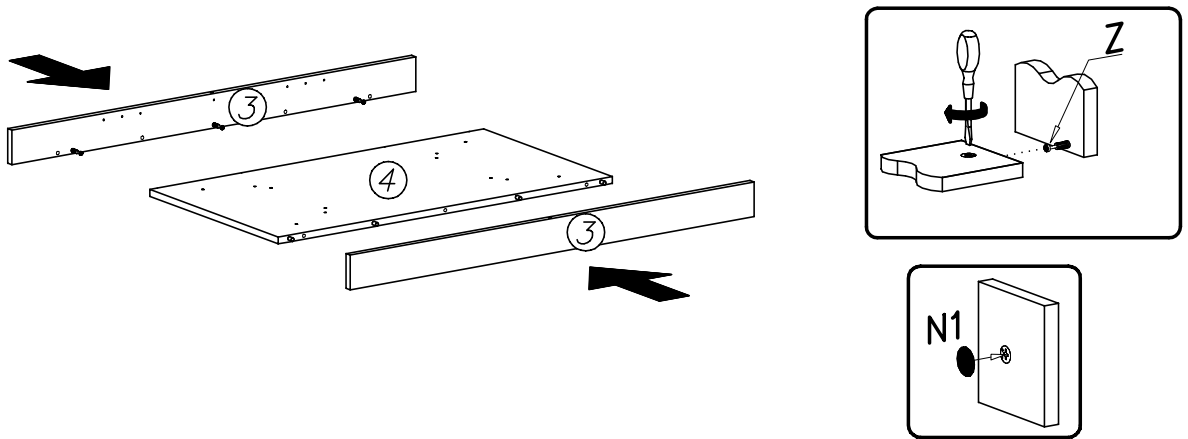
A1 7 x 50 x12	A 7 x 60 x12	B 8 x 30 x8	C 6	F x1	G x10
H x4	I 4 x 15 x8	J 6,3 x 13 x30	K x1	N x12	
N1 x6	Y x6	Z x6			



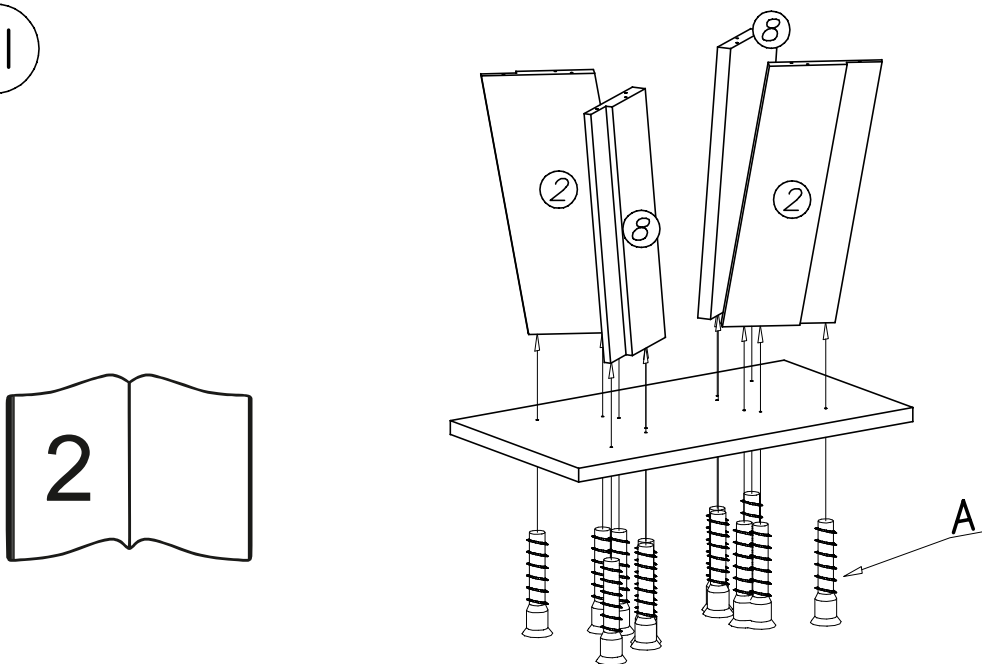
I



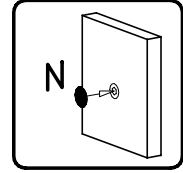
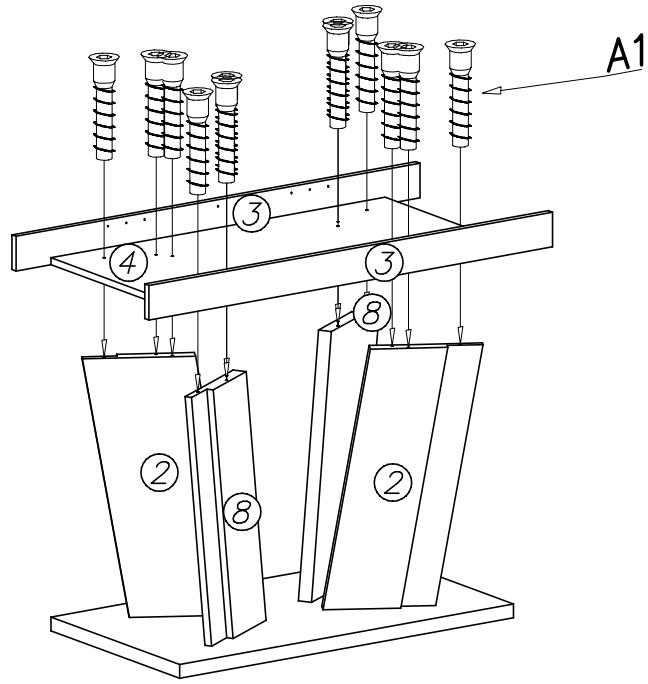
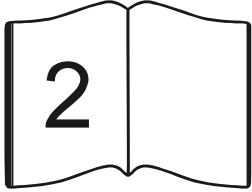
II



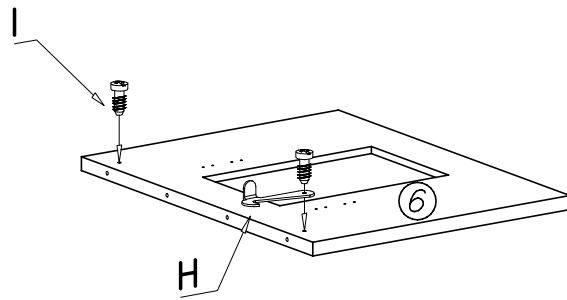
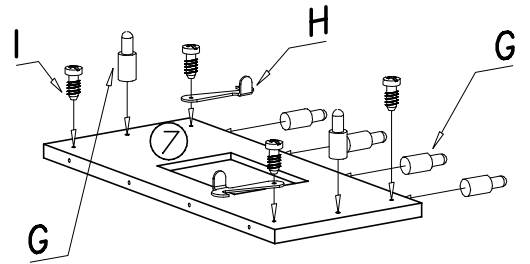
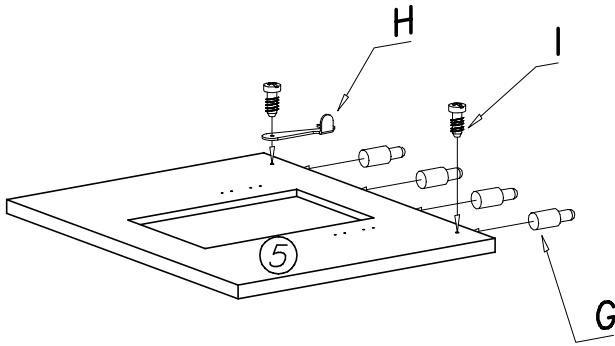
III



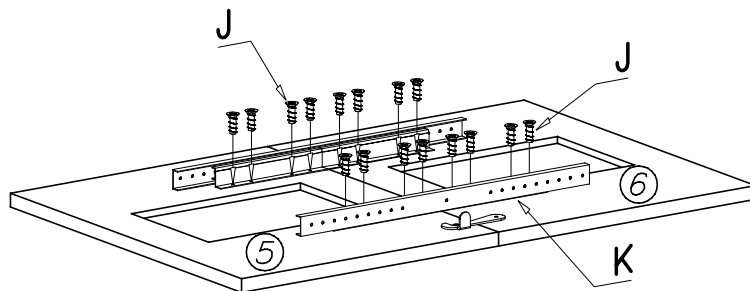
IV



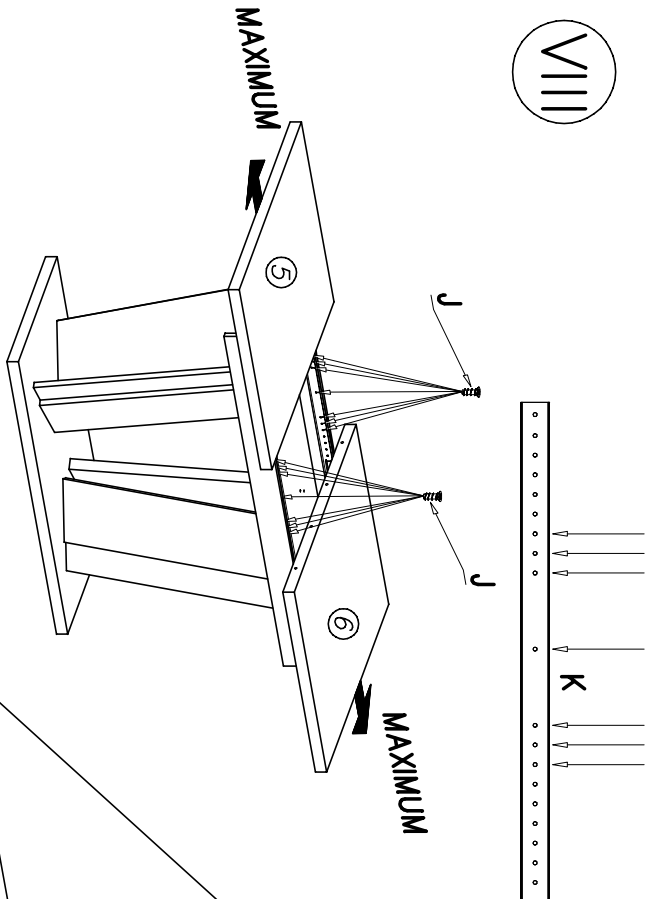
V



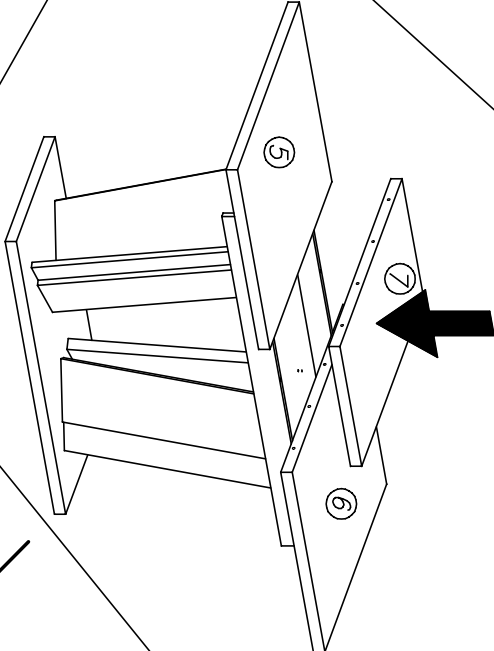
VI



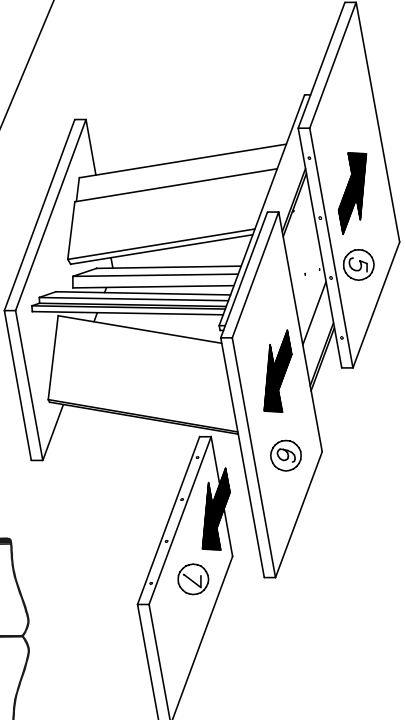
VIII



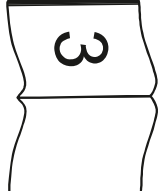
X



IX



XIII



XI

