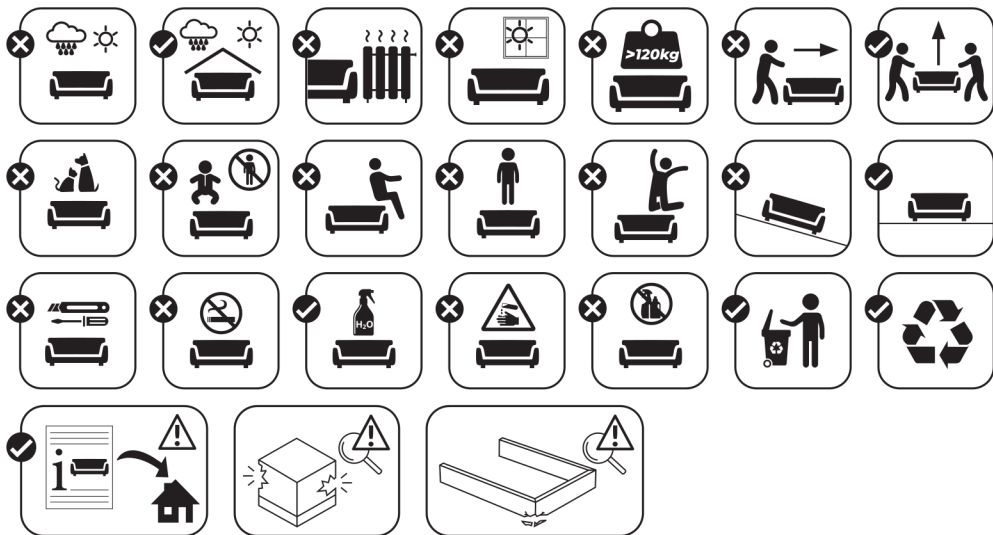
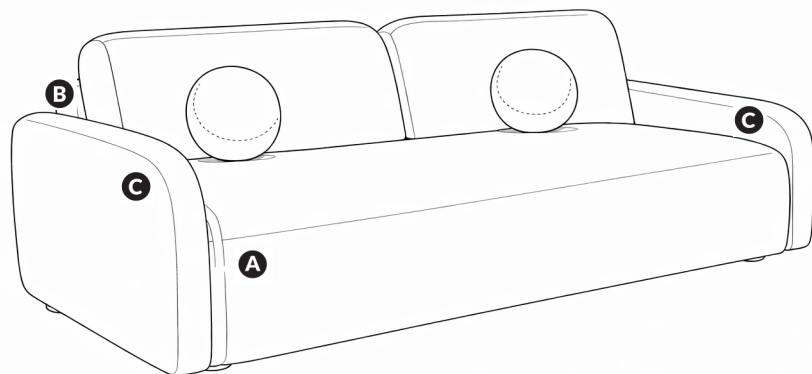
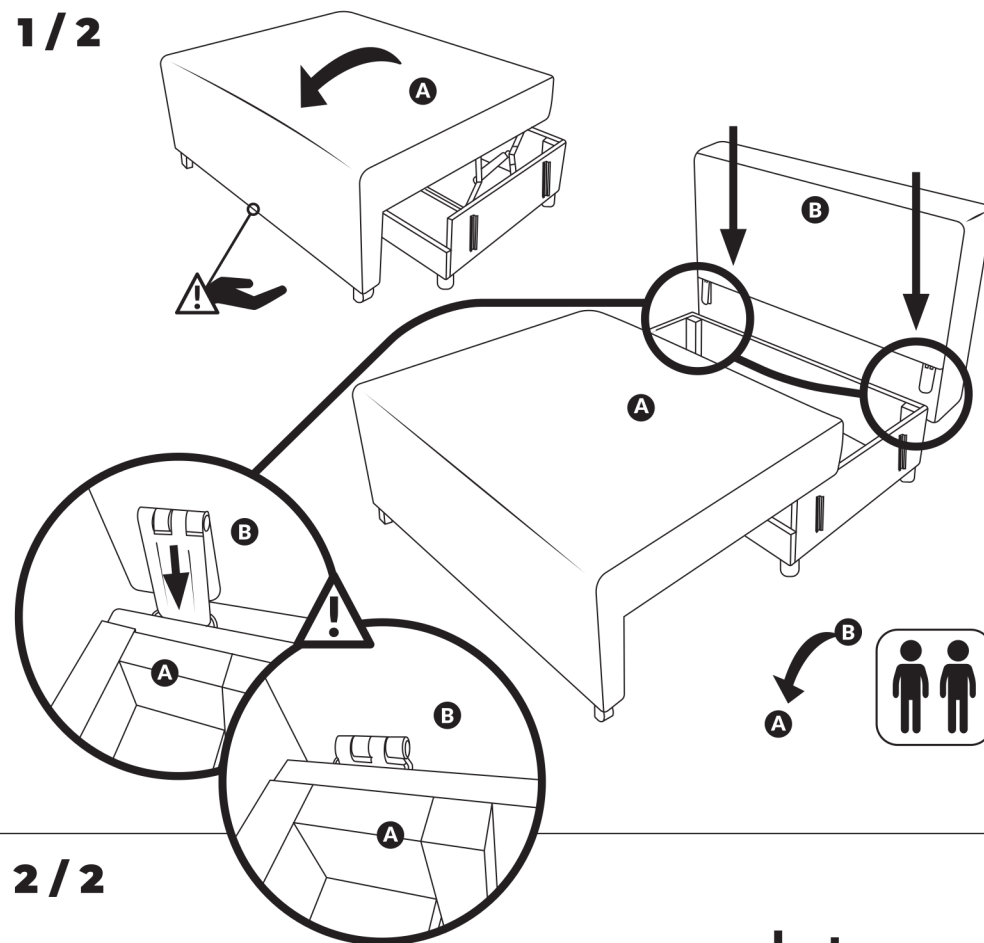




i



1/2



2/2

